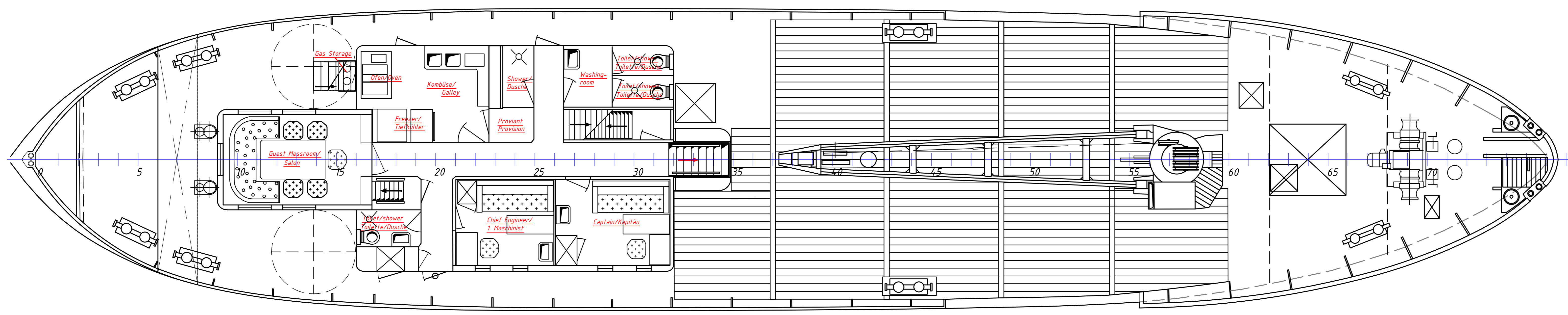


PROFILE

MAIN DECK



LEV TAIFUN

IMO NR :8650382
 MMSI NR :211592740
 CALL SIGN :DDKM2

Class :Lloyd's Register
 Notation :100 A1 SSC Cargo A G3

Keel laying date: 1964
 Re-Fit: 2012/2013
 Yard: J.G. Hitzler Shipyards, Germany

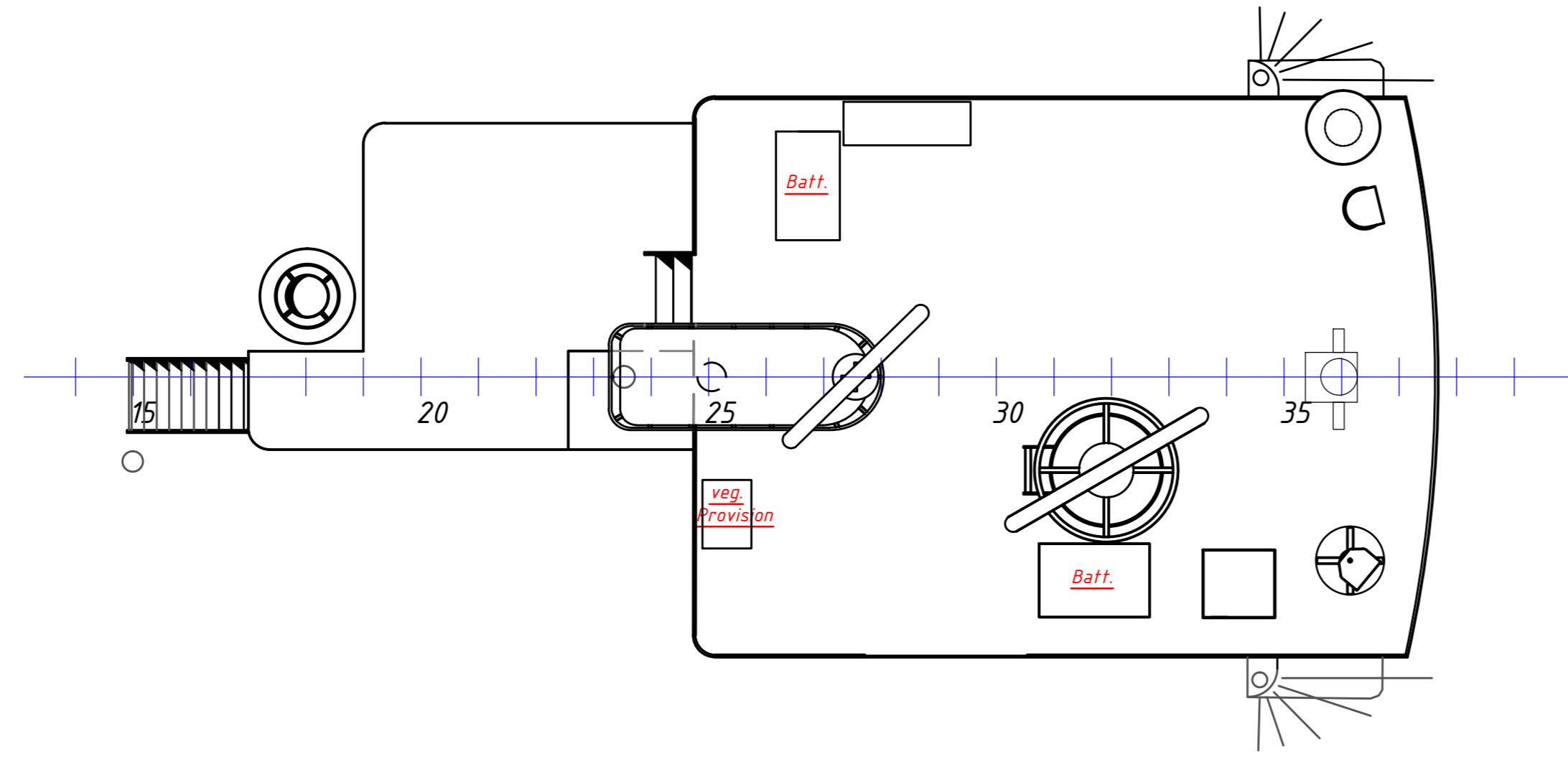
Principal Particulars

Length o.a. / Länge ü.a. 41.58 m
 Length CWL / Länge der Kwl 41.58 m
 Breadth mld. / Breite auf Spt. 8.00 m
 Depth mld. / Seitenhöhe 3.00 m
 Max Draught / Max. Tiefgang 2.00 m

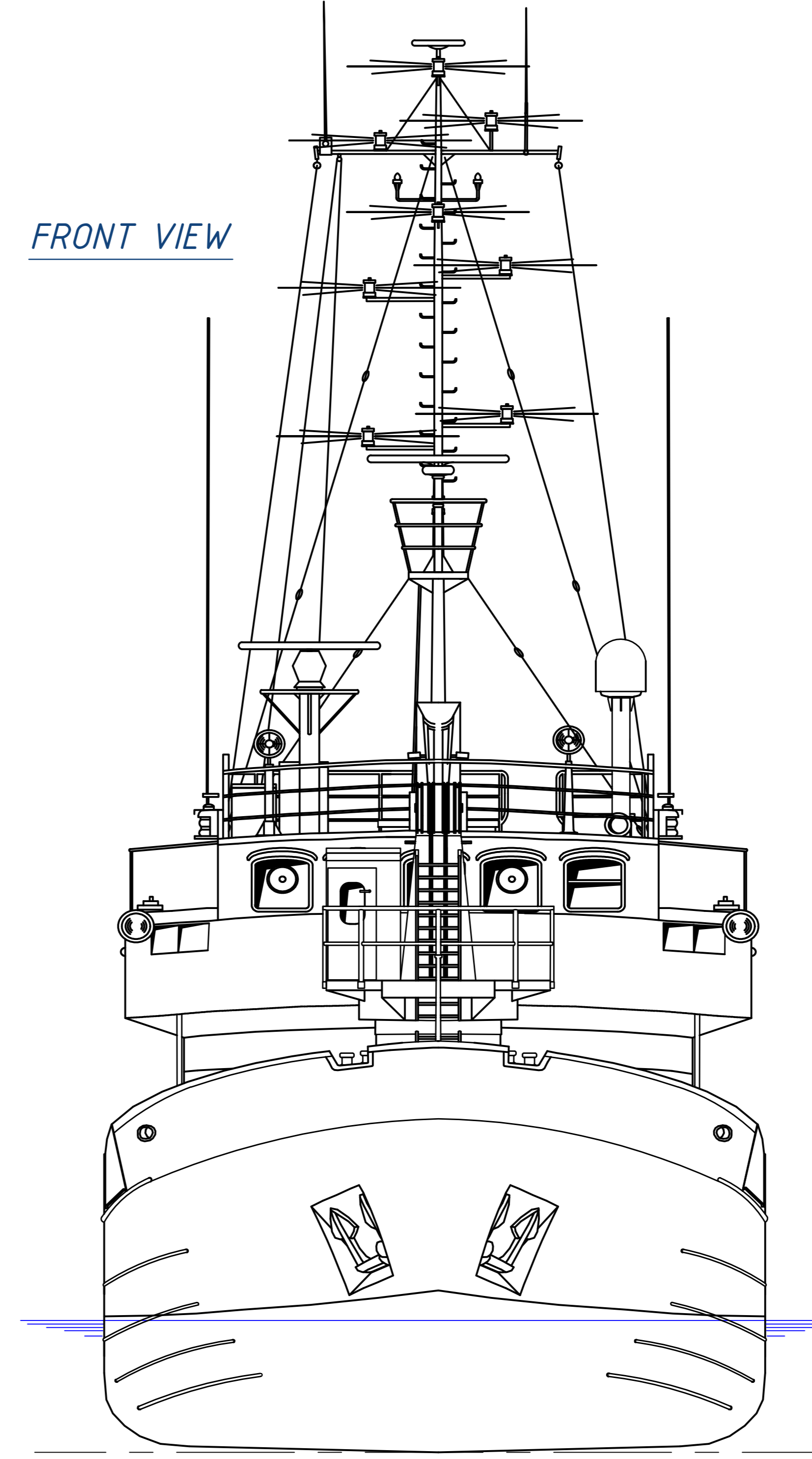
Gross tonnage 263
 Net tonnage 78
 Main propulsion 2x275 kW
 Auxiliary power 92 kW

<p> SMB - Naval Architects & Consultants Boerhoorn 1a 9756 CK Glimmen Tel +31 50 5351390 E-Mail: info@smb.nl </p>	<p style="text-align: center;"> GENERAL ARRANGEMENT / GENERAL PLAN </p> <table border="1" style="width: 100%; border-collapse: collapse;"> <tr> <td>OWNER</td> <td>INOVEN</td> </tr> <tr> <td>SCALE</td> <td>1:50</td> </tr> <tr> <td>DATE</td> <td>12.026</td> </tr> <tr> <td>PROJECT</td> <td>000-001</td> </tr> <tr> <td>DESIGNER</td> <td>LEV TAIFUN</td> </tr> <tr> <td>NO. OF SHEETS</td> <td>2</td> </tr> <tr> <td>SHEET NO.</td> <td>B</td> </tr> </table>	OWNER	INOVEN	SCALE	1:50	DATE	12.026	PROJECT	000-001	DESIGNER	LEV TAIFUN	NO. OF SHEETS	2	SHEET NO.	B
OWNER	INOVEN														
SCALE	1:50														
DATE	12.026														
PROJECT	000-001														
DESIGNER	LEV TAIFUN														
NO. OF SHEETS	2														
SHEET NO.	B														

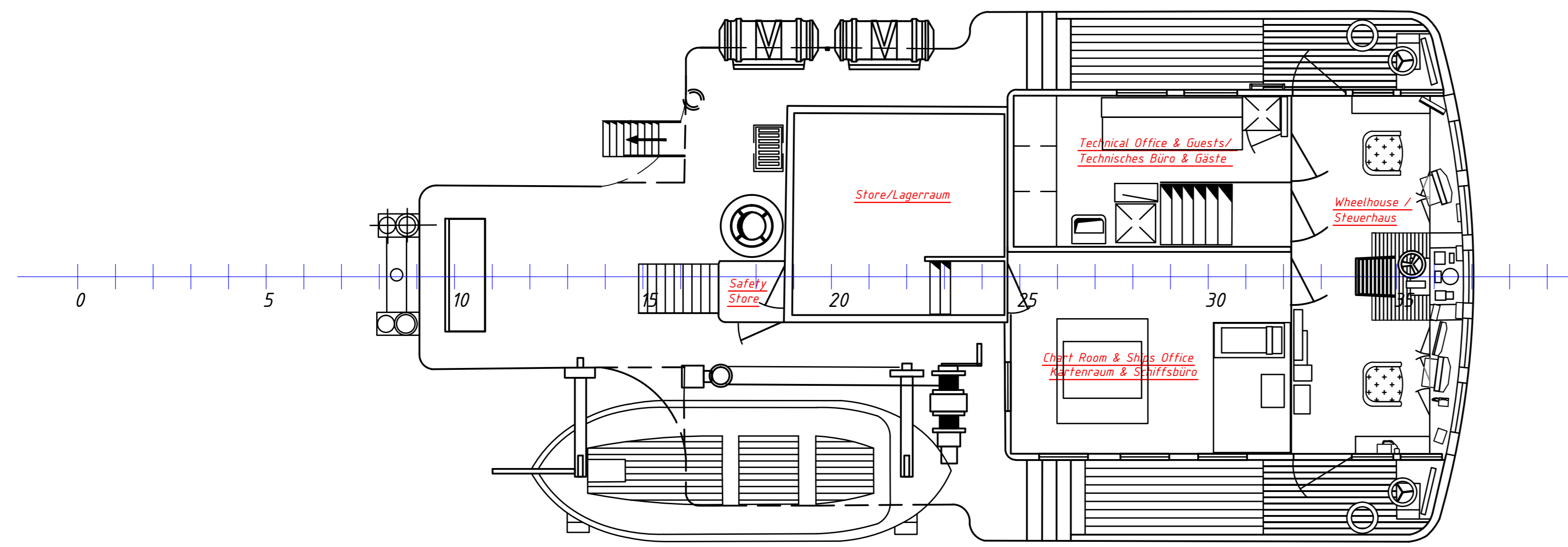
WHEELHOUSE TOP



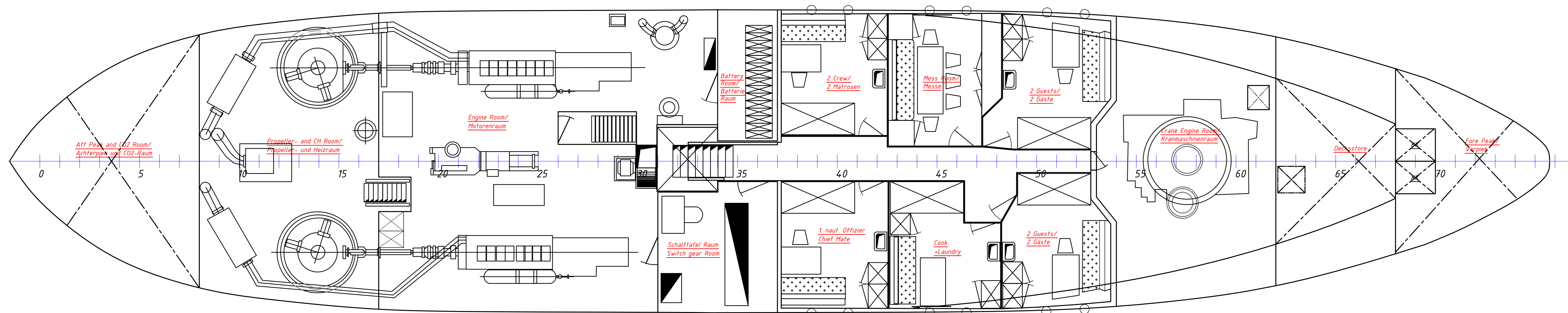
FRONT VIEW



NAVIGATION BRIDGE DECK



TANK TOP



LEV TAIFUN

IMO NR :8650382
MMSI NR :211592740
CALL SIGN :DDKM2



Class :Lloyd's Register
Notation :100 A1 SSC Cargo A G3

Keel laying date: 1964
Re-Fit: 2012/2013
Yard: J.G. Hitzler Shipyards, Germany

Principal Particulars

Length o.a. / Länge ü.a. 41.58 m
Length CWL / Länge der Kwl 41.58 m
Breadth mld. / Breite auf Spt. 8.00 m
Depth mld. / Seitenhöhe 3.00 m
Max Draught / Max. Tiefgang 2.00 m

Gross tonnage 263
Net tonnage 78
Main propulsion 2x275 kW
Auxiliary power 92 kW

Approved:	Date:	Approved:	Date:
Approved:	Date:	Approved:	Date:
SMB - Naval Architects & Consultants			
Boerhoorn 1a 9756 CK Glimmen Tel +31 50 5351390 E-Mail: info@smb.nl			
			
			
GENERAL ARRANGEMENT / GENERALPLAN			
OWNER	AD	OWNER	INGVEN
SCALE	1:50	YARD	INGVEN
DRAWN	DH	S. No.	LEV TAIFUN
DATE	11-1-15	Proj.	12.026
Drawn		Draw	000-001
Rev		Rev	B
NOTICE: This drawing and the information it contains are the property of SMB Naval Architects and Consultants and may not be reproduced or used in part or in whole for any purpose without the written approval of the company.			